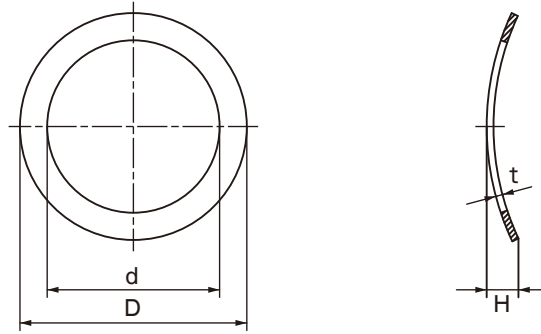


Curved Washer



Unit: mm

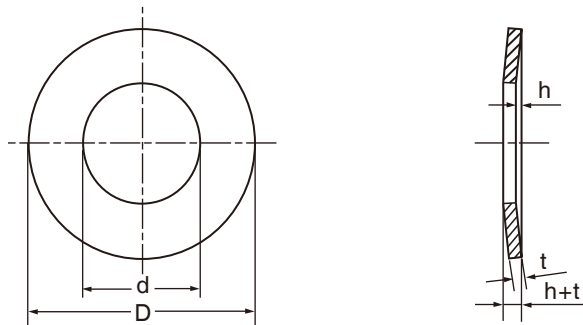
Size No.	d		D		H		t
	Basic	Tol.	Basic	Tol.	Basic	Tol.	
MB-4301	4.3	+0.2 0	6.8	-	1		0.15
4302	4.3	+0.3 0	8	±0.2	1.2	±0.2	0.3
5011	5	±0.2	7.9	+0.05 -0.15	1.2	±0.15	0.15
5301	5.3		10	±0.2	1.4	±0.2	0.3
6203	6.2		11		1.4		0.15
6301	6.3		11		1.5		0.4

Material = Carbon spring steel Hardness = 40 through 50HRC, Finish = Phosphate coating (ACP)

Notes

Our products with little marketability may not be in stock. When employing our products, consult with us for their availability.

Dish Spring



Unit: mm

Size No.	d		D		H (For heavy duty)				L (For light duty)			
	Basic	Tol.	Basic	Tol.	t		h (Approx.)	h+t (Approx.)	t		h (Approx.)	h+t (Approx.)
					Basic	Tol.			Basic	Tol.		
DB- 4	4.2	+0.3 -0.1	8	±0.3	0.4	±0.03	0.2	0.6	0.3	±0.025	0.25	0.55
5	5.2		10		0.5		0.75	0.4	0.3		0.7	
6	6.2		12.5		0.7		1	0.5	0.35		0.85	
7	7.2		14		0.8		1.1	0.5	0.4		0.9	
8	8.2	±0.4	16	±0.4	0.9	±0.05	0.35	1.25	0.6	±0.04	0.45	1.05
9	9.2		18		1		1.4	0.7	0.5		1.2	
10	10.2		20		1		1.45	0.8	0.55		1.35	
11	11.2		22.5		1.2		1.7	0.8	0.65		1.45	
12	12.2	+0.4 -0.1	25	±0.4	1.5	±0.06	0.55	2.05	0.9	±0.05	0.7	1.6
14	14.2		28		1.5		2.15	1	0.8		1.8	
16	16.3		31.5		1.75		2.45	1.2	0.9		2.1	
18	18.3		35.5		2		2.8	1.2	1		2.2	
20	20.4	+0.5 -0.2	40	±0.5	2	±0.07	0.9	2.9	1.5	±0.06	1.15	2.65
22	22.4		45		2.5		3.5	1.75	1.3		3.05	
25	25.4		50		3		4.1	2	1.4		3.4	
28	28.5		56		3		4.3	2	1.6		3.6	
30	31	+0.6 -0.4	63	±0.6	3.5	±0.09	1.4	4.9	2.5	±0.07	1.75	4.25
35	36		71		4		5.6	2.5	2		4.5	
40	41		80		5		6.7	3	2.3		5.3	
45	46		91		5		7	3.5	2.5		6	
50	51	±0.7	100	±0.7	6	±0.15	2	8.2	3.5	±0.09	2.8	6.3

Material = Carbon spring steel Hardness = 40 through 50HRC, Finish = Phosphate coating (ACP)

Notes

Our products with little marketability may not be in stock. When employing our products, consult with us for their availability.