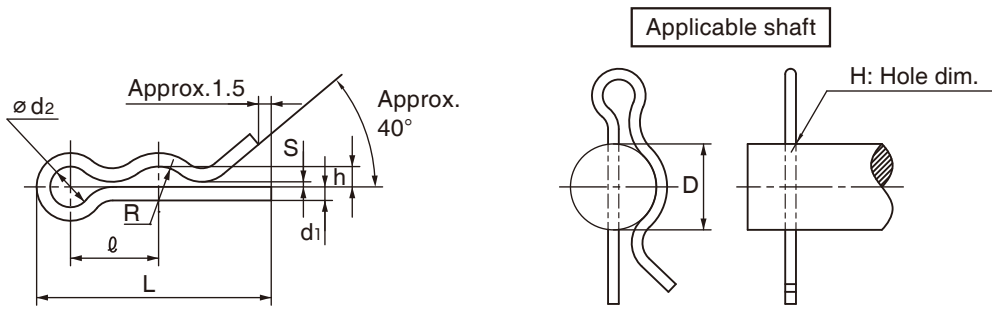


Snap Pin



Unit: mm

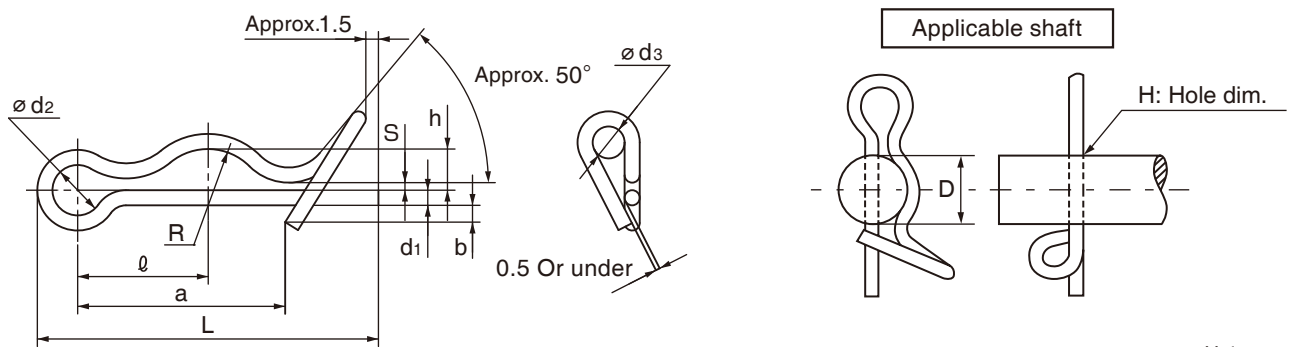
Size No.	Snap Pin								Applicable shaft	
	d_1		d_2	\varnothing	R	h	S	L	D	H
	Basic	Tol.	Approx.	Approx.	Approx.	Approx.	Max.	Approx.	Ref.	Ref.
SSP- 4	1	± 0.02	3	6	2	1	0.5	16.3	4	1.2
5	1		3	6.5	2.5	1.5	0.5	17.9	5	1.2
6	1.2		3.6	7.8	3	1.8	0.6	21.2	6	1.5
8	1.6	± 0.03	4.8	10.4	4	2.4	0.8	27.7	8	1.9
10	1.8		5.4	12.2	5	3.2	0.9	32.6	10	2.2
12	1.8		5.4	13.2	6	4.2	0.9	35.8	12	2.2
14	2		6	15	7	5	1	40.6	14	2.4
16	2		6	16	8	6	1	43.8	16	2.4

Material = SW-B Finish = Zinc Plate plus Chromate
The value d_1 is the diameter of wire rod as material.

Notes

Our products with little marketability may not be in stock. When employing our products, consult with us for their availability.

Retaining Pin



Unit: mm

Size No.	Retaining Pin											Applicable shaft				
	d_1		d_2		\varnothing	R	h		S	a	b	L	d_3	D	H	
	Basic	Tol.	Basic	Tol.	Approx.	Approx.	Basic	Tol.	Max.	Approx.	Approx.	Basic	Tol.	Approx.	Ref.	Ref.
SSP- 5012	1	± 0.02	3	± 0.4	6.5	2.5	1.5	± 0.3	0.5	9.5	1	17.9	± 1	2.2	5	1.2
6013	1.2	3.6	7.8		3	1.8	0.6		11.4	1.2	21.2	2.4		6	1.5	
8012	1.6	4.8	10.4		4	2.4	0.8		15.2	1.6	27.7	3.4		8	1.9	
10011	1.8	± 0.03	5.4	± 0.6	12.2	5	3.2	± 0.4	0.9	18.1	1.8	32.6	± 1.5	3.6	10	2.2
12012	1.8		5.4		13.2	6	4.2		0.9	20.8	2	35.8		3.8	12	2.2

Material = SW-B Finish = Zinc Plate plus Chromate
The value d_1 is the diameter of wire rod as material.

Notes

Our products with little marketability may not be in stock. When employing our products, consult with us for their availability.