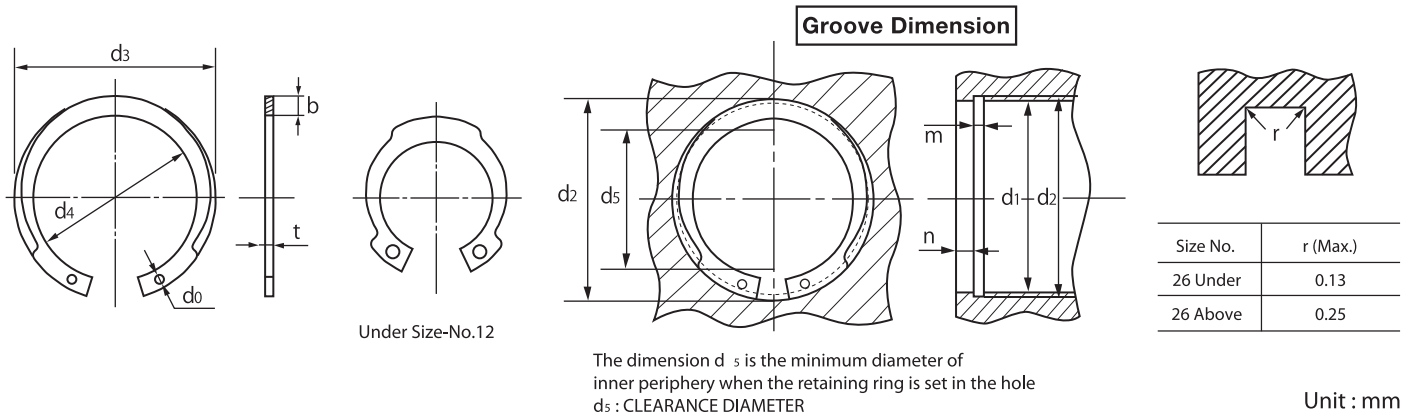


# Inverted internal Ring



Size-No.	Ring dimension							Groove dimension							
	d3		Ref. d3	t		b	d0	Tol.	d5	d1	d2		m		n
	Basic	Tol.		Basic	Tol.						Basic	Tol.	Basic	Tol.	
IRTW- 10	11.1	±0.18	7.7	1	±0.05	1.7	0.9	±0.3	5.9	10	10.4	+0.11 0	1.15	±0.14 0	1.5
11	12.2		8.6	1		1.8	0.9		6.6	11	11.4		1.15		1.5
12	13.3		9.7	1		1.8	0.9		7.6	12	12.5		1.15		1.5
13	14.1		10.9	1		1.6	0.9		9	13	13.6		1.15		1.5
14	15.1		11.7	1		1.7	0.9		9.8	14	14.6		1.15		1.5
15	16.2		12.6	1		1.8	0.9		10.6	15	15.7		1.15		1.5
16	17.3	13.5	1	1.9	0.9	11.4	16	16.8	1.15	1.5					
17	18.3	14.3	1	2	0.9	12.2	17	17.8	1.15	1.5					
18	19.5	15.3	1	2.1	1	13	18	19	1.15	1.5					
19	20.5	16.1	1	2.2	1	13.8	19	20	1.15	1.5					
20	21.5	16.9	1	2.3	1	14.5	20	21	1.15	1.5					
21	22.5	17.7	1	2.4	1.2	15	21	22	+0.21 0	1.15	1.5				
22	23.5	18.7	1	2.4	1.2	16	22	23	1.15	1.5					
24	25.9	20.7	1.2	2.6	1.2	17.5	24	25.2	1.35	1.8					
25	26.9	21.5	1.2	2.7	1.2	18.5	25	26.2	1.35	1.8					
26	27.9	22.3	1.2	2.8	1.2	19	26	27.2	1.35	1.8					
28	30.1	24.1	1.2	3	1.2	20.5	28	29.4	1.35	2.1					
30	32.1	25.7	1.2	3.2	1.4	22.5	30	31.4	1.35	2.1					
32	34.4	27.4	1.2	3.5	1.6	23.5	32	33.7	1.35	2.55					
34	36.5	29.1	1.5	3.7	1.6	25	34	35.7	1.65	2.55					
35	37.8	30	1.5	3.9	1.6	26	35	37	1.65	3					
36	38.8	30.8	1.5	4	1.6	26.5	36	38	+0.25 0	1.65	3				
37	39.8	31.6	1.5	4.1	1.6	27.5	37	39	1.65	3					
38	40.8	32.4	1.5	4.2	1.6	28	38	40	1.65	3					
40	43.5	34.7	1.75	4.4	2	30	40	42.5	1.9	3.75					
42	45.5	36.3	1.75	4.6	2	31	42	44.5	1.9	3.75					
45	48.5	38.9	1.75	4.8	2	33	45	47.5	1.9	3.75					
47	50.5	40.7	1.75	4.9	2	35	47	49.5	1.9	3.75					
48	51.5	41.5	1.75	5	2	36	48	50.5	1.9	3.75					
50	54.2	44	2	5.1	2.2	38	50	53	2.2	4.5					
52	56.2	45.8	2	5.2	2.2	40	52	55	2.2	4.5					
55	59.2	48	2	5.6	2.2	42	55	58	2.2	4.5					
56	60.2	48.8	2	5.7	2.5	43	56	59	2.2	4.5					
58	62.2	50.4	2	5.9	2.5	44	58	61	+0.3 0	2.2	4.5				
60	64.2	52	2	6.1	2.5	46	60	63	2.2	4.5					
62	66.2	53.6	2	6.3	2.8	47	62	65	2.2	4.5					
65	69.2	55.8	2.5	6.7	3.2	49	65	68	2.7	4.5					
68	72.5	58.5	2.5	7	3.2	52	68	71	2.7	4.5					
72	76.5	61.7	2.5	7.4	3.2	55	72	75	2.7	4.5					
75	79.5	63.9	2.5	7.8	3.2	57	75	78	2.7	4.5					
78	82.5	66.3	2.5	8.1	3.2	59	78	81	2.7	4.5					
80	85.5	68.9	2.5	8.3	3.2	61	80	83.5	+0.35 0	2.7	5.25				
85	90.5	72.7	3	8.9	4	64	85	88.5	3.2	+0.18 0	5.25				
90	95.5	76.7	3	9.4	4	68	90	93.5	3.2	5.25					
100	105.5	84.5	3	10.5	4	76	100	103.5	3.2	5.25					

Material = Carbon spring steel. Hardness = HRC 44~52 Finish = Phosphate coating (ACP)

## Note

1. Size-Nos. IRTW-56 and over are available on a production by order basis.
2. Our products with little marketability may not be in stock. When employing our products, consult with us for their availability.