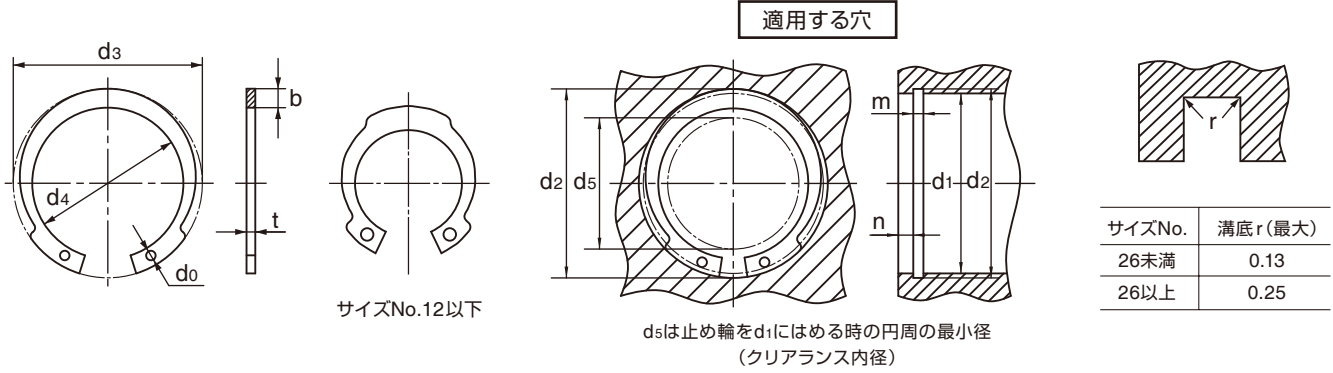


丸R形止め輪



単位：mm

| サイズ No. | 止め輪 | | | | | | 適用する穴 | | | | | | | | |
|------------|----------------|-------|------------------------|------|-------|------|----------------|-------|----------------|----------------|----------------|------------|------|------------|---------|
| | d ₃ | | d ₄ (参考) | t | | b | d ₀ | 公差 | d ₅ | d ₁ | d ₂ | | m | | n 最小 |
| | 基本寸法 | 公差 | | 基本寸法 | 公差 | | | | | | 基本寸法 | 公差 | 基本寸法 | 公差 | |
| IRTW-10 | 11.1 | ±0.18 | 7.7 | 1 | ±0.05 | 1.7 | 0.9 | ±0.3 | 5.9 | 10 | 10.4 | +0.11 0 | 1.15 | ±0.14 0 | 1.5 |
| 11 | 12.2 | | 8.6 | 1 | | 1.8 | 0.9 | | 6.6 | 11 | 11.4 | | 1.15 | | 1.5 |
| 12 | 13.3 | | 9.7 | 1 | | 1.8 | 0.9 | | 7.6 | 12 | 12.5 | | 1.15 | | 1.5 |
| 13 | 14.1 | | 10.9 | 1 | | 1.6 | 0.9 | | 9 | 13 | 13.6 | | 1.15 | | 1.5 |
| 14 | 15.1 | | 11.7 | 1 | | 1.7 | 0.9 | | 9.8 | 14 | 14.6 | | 1.15 | | 1.5 |
| 15 | 16.2 | | 12.6 | 1 | | 1.8 | 0.9 | | 10.6 | 15 | 15.7 | | 1.15 | | 1.5 |
| 16 | 17.3 | | 13.5 | 1 | | 1.9 | 0.9 | | 11.4 | 16 | 16.8 | | 1.15 | | 1.5 |
| 17 | 18.3 | | 14.3 | 1 | | 2 | 0.9 | | 12.2 | 17 | 17.8 | | 1.15 | | 1.5 |
| 18 | 19.5 | | 15.3 | 1 | | 2.1 | 1 | | 13 | 18 | 19 | | 1.15 | | 1.5 |
| 19 | 20.5 | | 16.1 | 1 | | 2.2 | 1 | | 13.8 | 19 | 20 | | 1.15 | | 1.5 |
| 20 | 21.5 | 16.9 | 1 | 2.3 | 1 | 14.5 | 20 | 21 | 1.15 | 1.5 | | | | | |
| 21 | 22.5 | 17.7 | 1 | 2.4 | 1.2 | 15 | 21 | 22 | 1.15 | 1.5 | | | | | |
| 22 | 23.5 | 18.7 | 1 | 2.4 | 1.2 | 16 | 22 | 23 | 1.15 | 1.5 | | | | | |
| 24 | 25.9 | 20.7 | 1.2 | 2.6 | 1.2 | 17.5 | 24 | 25.2 | 1.35 | 1.8 | | | | | |
| 25 | 26.9 | 21.5 | 1.2 | 2.7 | 1.2 | 18.5 | 25 | 26.2 | 1.35 | 1.8 | | | | | |
| 26 | 27.9 | 22.3 | 1.2 | 2.8 | 1.2 | 19 | 26 | 27.2 | 1.35 | 1.8 | | | | | |
| 28 | 30.1 | 24.1 | 1.2 | 3 | 1.2 | 20.5 | 28 | 29.4 | 1.35 | 2.1 | | | | | |
| 30 | 32.1 | 25.7 | 1.2 | 3.2 | 1.4 | 22.5 | 30 | 31.4 | 1.35 | 2.1 | | | | | |
| 32 | 34.4 | 27.4 | 1.2 | 3.5 | 1.6 | 23.5 | 32 | 33.7 | 1.35 | 2.55 | | | | | |
| 34 | 36.5 | 29.1 | 1.5 | 3.7 | 1.6 | 25 | 34 | 35.7 | 1.65 | 2.55 | | | | | |
| 35 | 37.8 | 30 | 1.5 | 3.9 | 1.6 | 26 | 35 | 37 | 1.65 | 3 | | | | | |
| 36 | 38.8 | 30.8 | 1.5 | 4 | 1.6 | 26.5 | 36 | 38 | 1.65 | 3 | | | | | |
| 37 | 39.8 | 31.6 | 1.5 | 4.1 | 1.6 | 27.5 | 37 | 39 | 1.65 | 3 | | | | | |
| 38 | 40.8 | 32.4 | 1.5 | 4.2 | 1.6 | 28 | 38 | 40 | 1.65 | 3 | | | | | |
| 40 | 43.5 | 34.7 | 1.75 | 4.4 | 2 | 30 | 40 | 42.5 | 1.9 | 3.75 | | | | | |
| 42 | 45.5 | 36.3 | 1.75 | 4.6 | 2 | 31 | 42 | 44.5 | 1.9 | 3.75 | | | | | |
| 45 | 48.5 | 38.9 | 1.75 | 4.8 | 2 | 33 | 45 | 47.5 | 1.9 | 3.75 | | | | | |
| 47 | 50.5 | 40.7 | 1.75 | 4.9 | 2 | 35 | 47 | 49.5 | 1.9 | 3.75 | | | | | |
| 48 | 51.5 | 41.5 | 1.75 | 5 | 2 | 36 | 48 | 50.5 | 1.9 | 3.75 | | | | | |
| 50 | 54.2 | 44 | 2 | 5.1 | 2.2 | 38 | 50 | 53 | 2.2 | 4.5 | | | | | |
| 52 | 56.2 | 45.8 | 2 | 5.2 | 2.2 | 40 | 52 | 55 | 2.2 | 4.5 | | | | | |
| 55 | 59.2 | 48 | 2 | 5.6 | 2.2 | 42 | 55 | 58 | 2.2 | 4.5 | | | | | |
| 56 | 60.2 | 48.8 | 2 | 5.7 | 2.5 | 43 | 56 | 59 | 2.2 | 4.5 | | | | | |
| 58 | 62.2 | 50.4 | 2 | 5.9 | 2.5 | 44 | 58 | 61 | 2.2 | 4.5 | | | | | |
| 60 | 64.2 | 52 | 2 | 6.1 | 2.5 | 46 | 60 | 63 | 2.2 | 4.5 | | | | | |
| 62 | 66.2 | 53.6 | 2 | 6.3 | 2.8 | 47 | 62 | 65 | 2.2 | 4.5 | | | | | |
| 65 | 69.2 | 55.8 | 2.5 | 6.7 | 3.2 | 49 | 65 | 68 | 2.7 | 4.5 | | | | | |
| 68 | 72.5 | 58.5 | 2.5 | 7 | 3.2 | 52 | 68 | 71 | 2.7 | 4.5 | | | | | |
| 72 | 76.5 | 61.7 | 2.5 | 7.4 | 3.2 | 55 | 72 | 75 | 2.7 | 4.5 | | | | | |
| 75 | 79.5 | 63.9 | 2.5 | 7.8 | 3.2 | 57 | 75 | 78 | 2.7 | 4.5 | | | | | |
| 78 | 82.5 | 66.3 | 2.5 | 8.1 | 3.2 | 59 | 78 | 81 | 2.7 | 4.5 | | | | | |
| 80 | 85.5 | 68.9 | 2.5 | 8.3 | 3.2 | 61 | 80 | 83.5 | 2.7 | 5.25 | | | | | |
| 85 | 90.5 | 72.7 | 3 | 8.9 | 4 | 64 | 85 | 88.5 | 3.2 | 5.25 | | | | | |
| 90 | 95.5 | 76.7 | 3 | 9.4 | 4 | 68 | 90 | 93.5 | 3.2 | 5.25 | | | | | |
| 100 | 105.5 | 84.5 | 3 | 10.5 | 4 | 76 | 100 | 103.5 | 3.2 | 5.25 | | | | | |

材質：ばね用鋼 硬さ：44~52HRC 表面处理：ACP(磷酸塩被膜)

<注意点>

1. IRTW-56以上は、受注生産となります。
2. 市場性の無い製品は在庫が無い場合があります。ご採用の際は事前にご確認ください。